

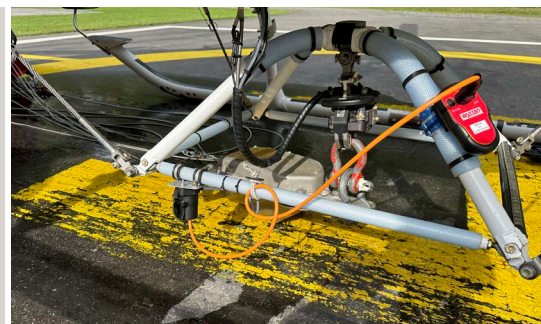


Wyssen Bucket Release System BRS-24

Cable-free and simple – The BRS-24 for radio-controlled opening of the Bambi Bucket

The BRS-24 bucket release system serves as an alternative to a power-guided longline. It was developed in collaboration with Air-Glaciers to the radio-controlled opening of a Bambi Bucket. The control unit can be mounted on the release housing of the Bambi Bucket without any mechanical adjustments.

- Designation: Wyssen Bucket Release System BRS-24
- Weight: 5kg
- Protection class: IP 68: 1.2m (2h)
- Dimensions (l x w x h) : 347mm x 195mm x 72mm
- Radio range : 120m
- Battery receiver housing : 18V DC ("Standard battery" sufficient for 600 rotations of 4 minutes each, at 22°C)
- Radio transmitter battery : 4.5V (3x AAA battery)
- Temperature range: -20°C - + 55°C
- Suitable for Bambi Bucket BB2024 (other sizes available on request)
- Technical approval FOCA (Federal Office of Civil Aviation)



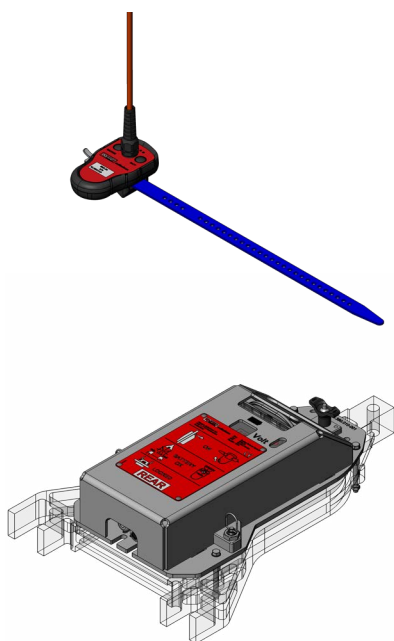
Advantages

- No current-carrying longline
- Conventional longline can be used in various lengths
- No mechanical adjustments to the housing
- Waterproof
- Robust housing
- Simple operation
- Battery change within a few seconds without tools

Scan me, for the battery change:



Image sources ©: Air-Glaciers



Wyssen Seilbahnen AG

Tél: +41 33 676 76 76

E-Mail: info@wyssen.com

www.wyssen.com

WYSSSEN switzerland **seilbahnen**